

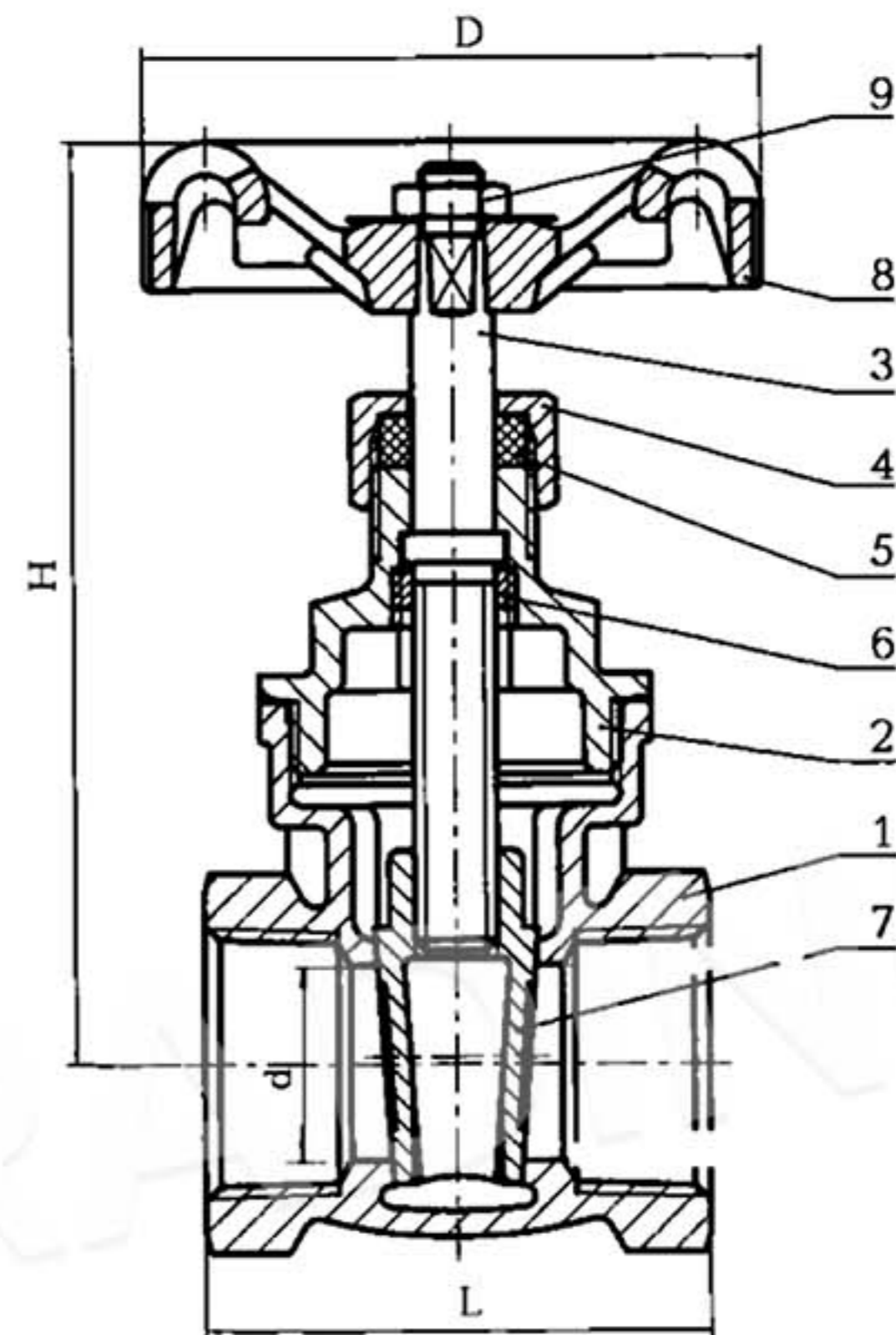
GATE VALVE



BRASS GATE VALVE NRS SCREWED ENDS

FEATURE AND APPLICATION

- ◆ Pipe Thread To ISO228
- ◆ Screwed bonnet, Non-rising stem
- ◆ Solid wedge disc
- ◆ Applicable Medium : Water, Oil, Gas, Steam
- ◆ Screwed end BSPT Connection
- ◆ Hand-wheel operator
- ◆ Max.Working Pressure : 232 PSI (16 Bar)
- ◆ Max.Working Temperature : -10°C To 120°C
- ◆ Size Range : 1/2" - 4"



Bill of Materials

Sequence	Description	Material	Sizes	Dimensions						U.W(kgs)
				DN	INCH	d	L	H	D	
1	Body	Brass CW617N	All	DN	INCH	d	L	H	D	U.W(kgs)
2	Bonnet	Brass CW617N	All	15	1/2	12.8	45	70	53	0.24
3	Stem	Brass CW617N	All	20	3/4	19	48	77	53	0.3093
4	Packing Nut	Brass CW617N	All	25	1"	22	54	85	53	0.462
5	Packing	P.T.F.E	All	32	1.1/4"	29	59	103	59	0.597
6	Stem Bush	Brass CW617N	All	40	1.1/2"	36	61	117	71	0.81
7	Disc	Brass CW617N	All	50	2"	46.5	70	138	78	1.252
8	Handwheel	Cast-iron	All	65	2.1/2"	57	82	170	97	2.142
9	Handwheel Nut	Stainless Steel	All	80	3"	69	84	198	108	3.024
				100	4"	90	102	235	126	5.32



Ball Valve

